

MOUNTING ACCESORIES

In case of the compressors ranges D, L & P provided with the universal feet (see figure1)

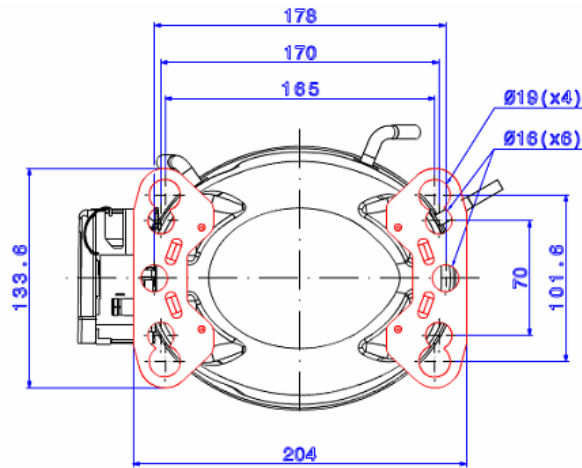


Figure 1

Cubigel compressors will supply the STANDARD mounting accessories (see figure 2a). Just under customer request Cubigel compressors will supply the AMERICAN FEET mounting accessories (see figure 2b) or the SNAP-ON mounting accessories (see figure 2c).

MOUNTING ACCESORIES

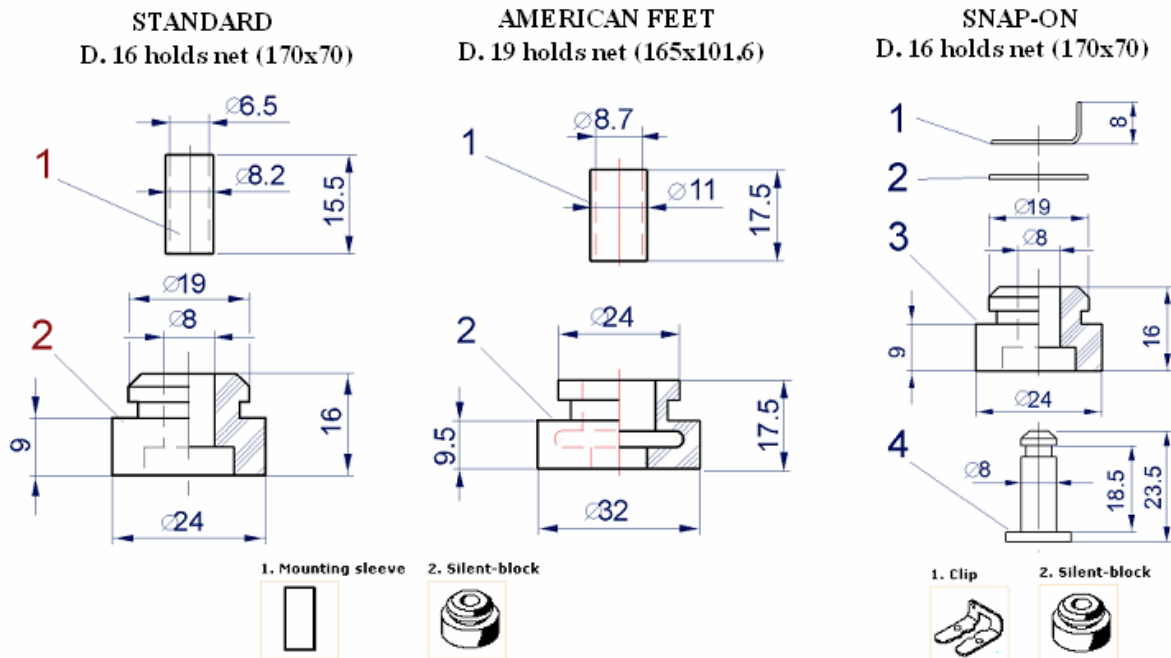


Figure 2a

Figure 2b

Figure 2c

Cubigel Compressors, S.A.

Address: C/ Antoni Forrellad, 2 · 08192 · Sant Quirze del Valles · Barcelona · Spain

Mail Address: P.O. BOX 3283 · 08200 · Sabadell · Spain

Phone +34 93 746 40 51 to 55 · Fax +34 93 712 28 64

CIF A-08256612

www.cubigel.com